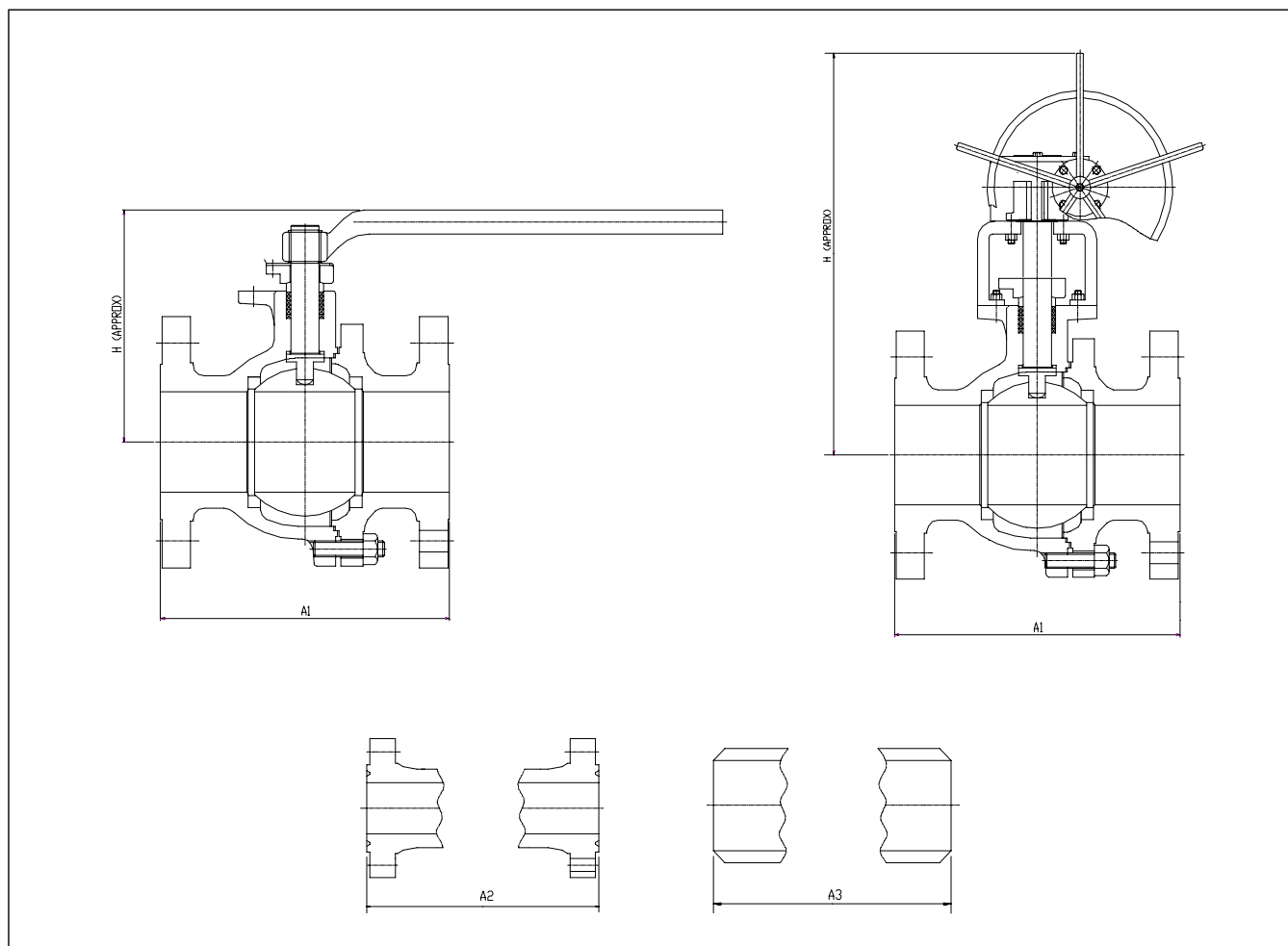


FLOATING BALL TYPE BALL VALVES



NO.	NAME OF PART	ASTM MATERIAL
1	BODY	A216-WCB, A217-WC6, A217-WC9, A352-LCC, A351-CF8, A351-CF8M, B148, A890-4A, SPECIAL MATERIAL & etc.
2	CAP	A216-WCB, A217-WC6, A217-WC9, A352-LCC, A351-CF8, A351-CF8M, B148, A890-4A, SPECIAL MATERIAL & etc.
3	BALL	A105+ENP, A351-CF8(3,8M,3M), A276-304(304L,316,316L), B148, B150, A182-F51, SPECIAL MATEIAL & etc.
4	BALL SEAT	PTFE, RTFE, PCTFE, DEVRON, NYLON, PEEK, METAL TO METAL etc.
5	STEM	A276-410, A276-304(304L,316,316L), B148, B150, A182-F51, SPECIAL MATERIAL & etc
6	GLAND BUSH	A276-410, A276-304(304L,316,316L), B148, B150, A182-F51, SPECIAL MATERIAL & etc
7	GLAND FLANGE	A105, A283-D, A240-T304(316)
8	STOPPER	A240-T304(316)
9	TOP BOLT	A193-B7, A194-B8(B8M), 304SS, 316SS & etc
10	LEVER	DUCTILE IRON
11	TOP WASHER	A240-T304(316)
12	GLAND PACKING	GRAPHITE, TEFLON etc
13	THRUST BEARING	PTFE, RTFE etc
14	GASKET	PTFE, RTFE, SPIRAL WOUND GASKET etc
15	STUD BOLTS	A193-B7, A193-B16, A320-L7, A193-B8(B8M), 304SS, 316SS & etc
16	NUTS	A194-2H, A194-4, A194-8(8M), 304SS, 316SS & etc
17	GLAND BOLT	A193-B7, A193-B16, A320-L7, A193-B8(B8M), 304SS, 316SS & etc
18	NAME PLATE	A240-T304(316)

CLASS 150, FULL BORE

CLASS 150, REDUCED BORE

SIZE	D	L	H	WEIGHT
	mm	mm	mm	Kg
1/2"	13	108	82	2.0
3/4"	19	117	86	2.5
1"	25	127	100	3.8
1-1/2"	38	165	129	6.7
2"	51	178	141	10.6
2-1/2"	64	191	149	14.8
3"	76	203	163	20.6
4"	102	229	212	33.8
6"	152	394	316	76.0
8"	203	457	399	125.0
10"	254	533	463	198.0

SIZE	d	D	L	H	WEIGHT
	mm	mm	mm	mm	Kg
3/4" * 1/2"	13	19	117	82	2.3
1" * 3/4"	19	25	127	86	3.5
1-1/2" * 1"	25	38	165	99	6.1
2" * 1-1/2"	38	51	178	129	9.7
2-1/2" * 2"	51	64	191	141	12.9
3" * 2"	51	76	203	148	19.6
4" * 3"	76	102	229	166	31.2
6" * 4"	102	152	267	220	57.0
8" * 6"	152	203	292	319	79.0
10" * 8"	203	254	330	368	128.0

CLASS 300, FULL BORE

CLASS 300, REDUCED BORE

SIZE	D	L	H	WEIGHT
	mm	mm	mm	Kg
1/2"	13	140	83	2.4
3/4"	19	152	86	3.5
1"	25	165	99	5.3
1-1/2"	38	191	130	10.4
2"	51	216	145	14.1
2-1/2"	64	241	156	20.6
3"	76	283	168	26.0
4"	102	305	209	41.0
6"	152	403	321	99.0
8"	203	502	389	168.0
10"	254	568	462	226.0

SIZE	d	D	L	H	WEIGHT
	mm	mm	mm	mm	Kg
3/4" * 1/2"	13	19	152	82	3.1
1" * 3/4"	19	25	165	86	4.9
1-1/2" * 1"	25	38	191	99	8.8
2" * 1-1/2"	38	51	216	129	12.2
2-1/2" * 2"	51	64	241	141	28.6
3" * 2"	51	76	283	148	23.1
4" * 3"	76	102	305	166	36.5
6" * 4"	102	152	403	220	81.0
8" * 6"	152	203	419	319	143.0
10" * 8"	203	254	457	368	198.0

CLASS 600, FULL BORE

CLASS 600, REDUCED BORE

SIZE	D	L	H	WEIGHT
	mm	mm	mm	Kg
1/2"	13	165	89	3.8
3/4"	19	191	95	6.5
1"	25	216	102	8.2
1-1/2"	38	241	128	15.5
2"	51	292	136	22.9
3"	76	356	169	49.0
4"	102	432	211	79.0
6"	152	559	328	158.0

SIZE	d	D	L	H	WEIGHT
	mm	mm	mm	mm	Kg
3/4" * 1/2"	13	19	191	85	4.1
1" * 3/4"	19	25	216	89	5.9
1-1/2" * 1"	25	38	241	95	11.8
2" * 1-1/2"	38	51	292	126	22.0
3" * 2"	51	76	356	133	31.0
4" * 3"	76	102	432	162	61.0
6" * 4"	102	152	559	212	112.0
8" * 6"	152	203	660	353	195.0